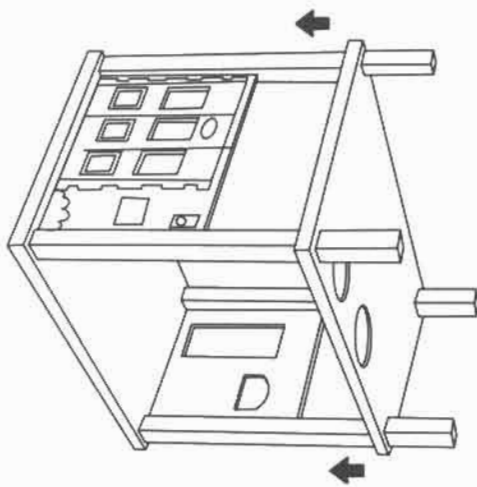
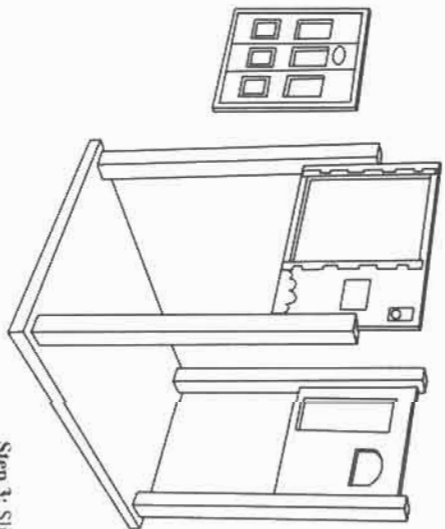
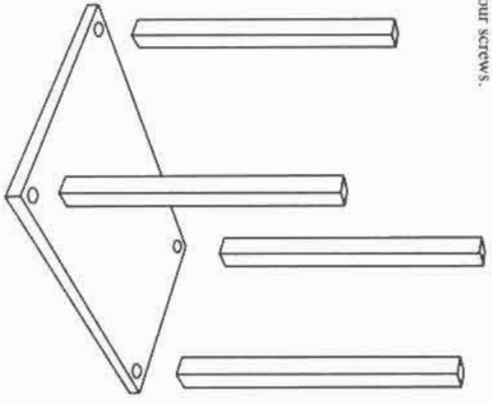


**Step 1:** Attach the four corner posts to the floor using four screws.

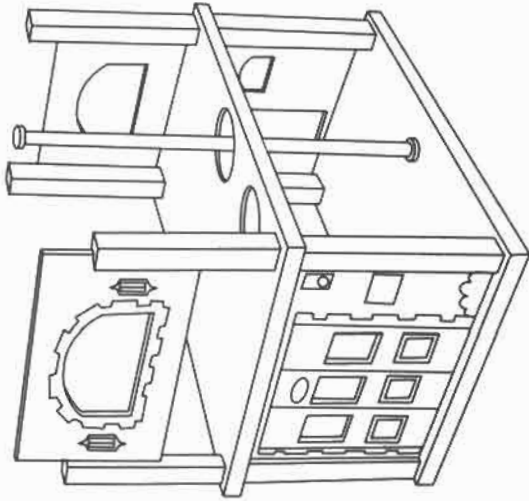
**Step 2:** Connect garage door to wall. Slide in front wall and garage door through corner posts.

**Step 3:** Slide second floor through corner posts making sure two holes are on the right side.

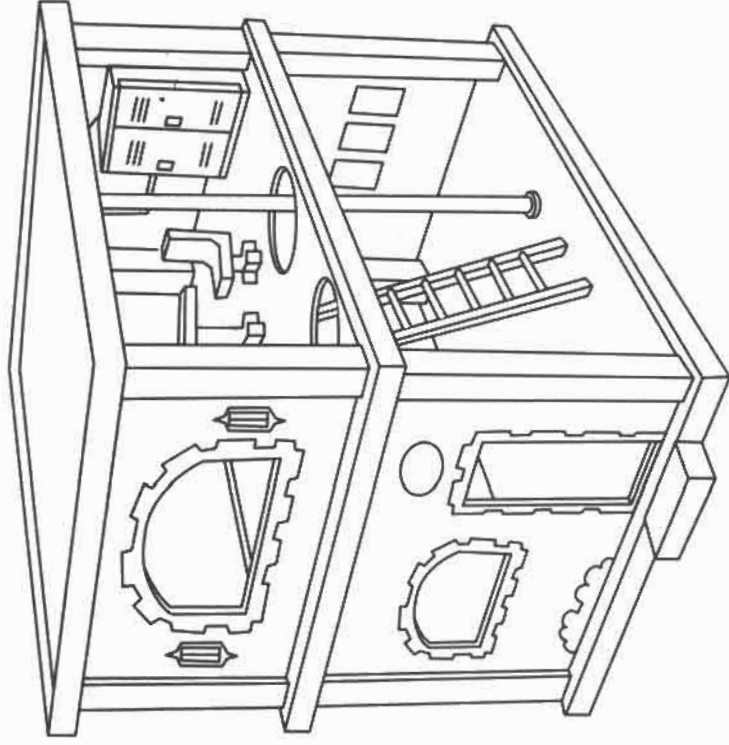
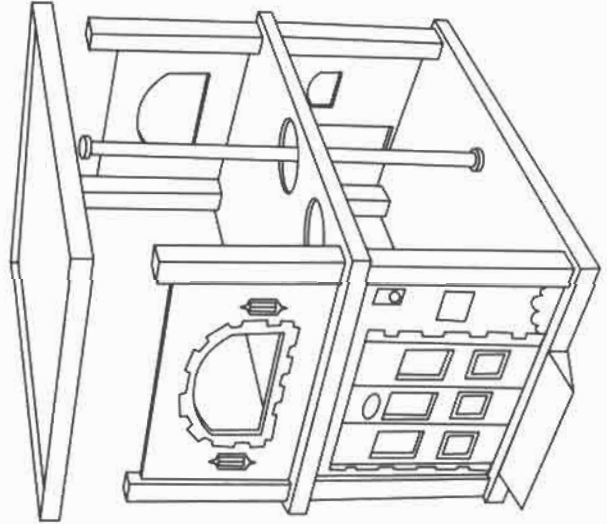


# LVL Fire Stoppers Main Station

**Step 4:** Slide second floor windows through corner posts. Insert pole.



**Step 5:** Attach ceiling panel using four screws.



Assembly Instructions  
Adult Assembly Required