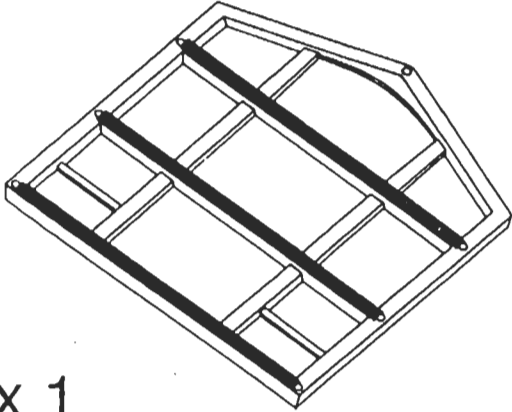


Ryan's Room

Home Is Where The Heart Is

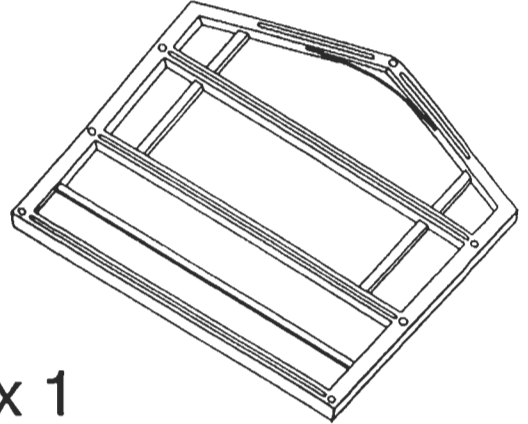
Adult Assembly Required
Assembly Instructions

A



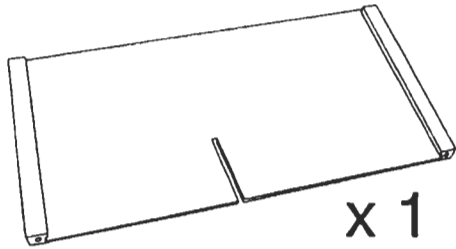
x 1

B



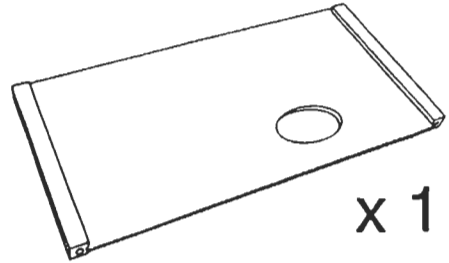
x 1

C



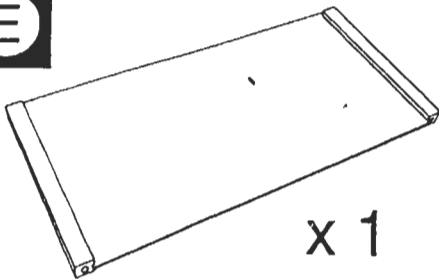
x 1

D



x 1

E



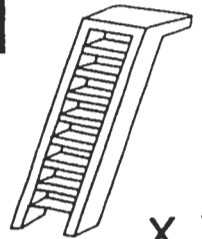
x 1

F



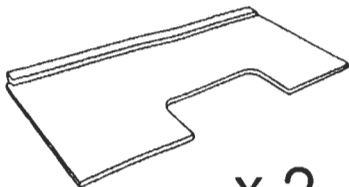
x 1

G



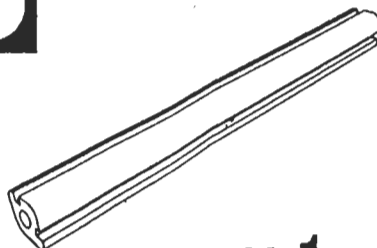
x 1

H



x 2

I



x 1

J



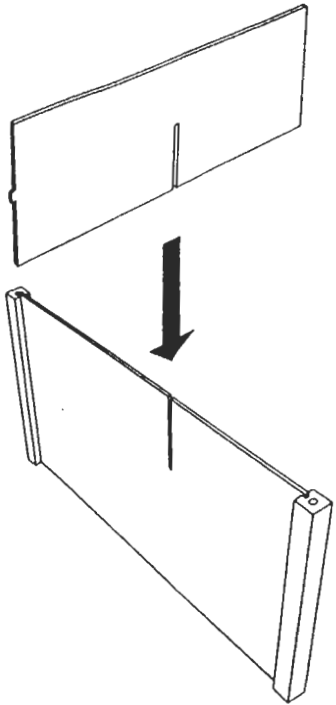
x 10

K

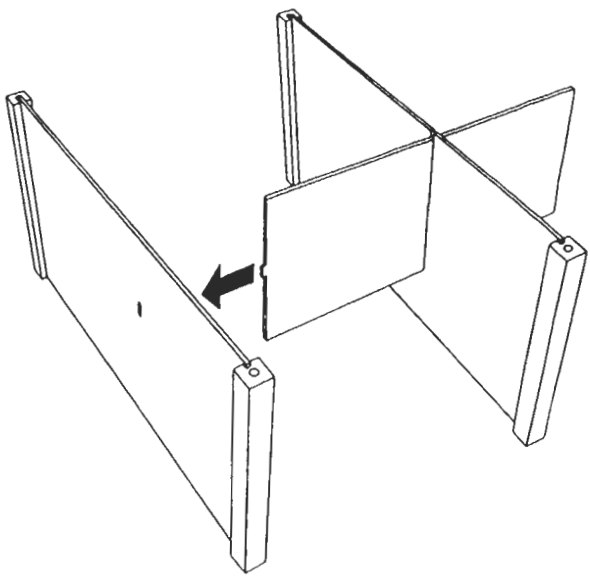


x 1

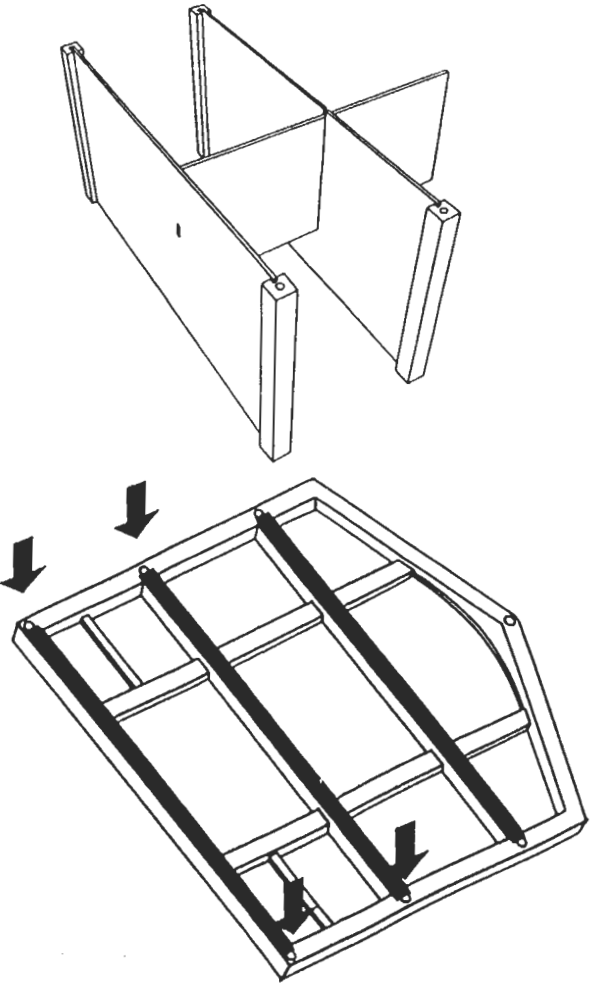
1



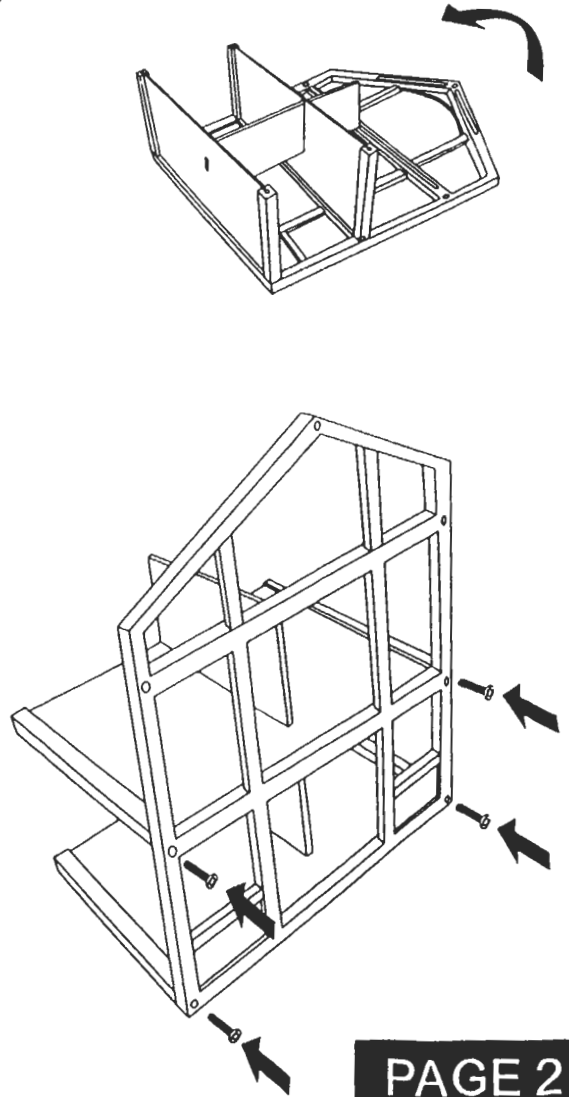
2



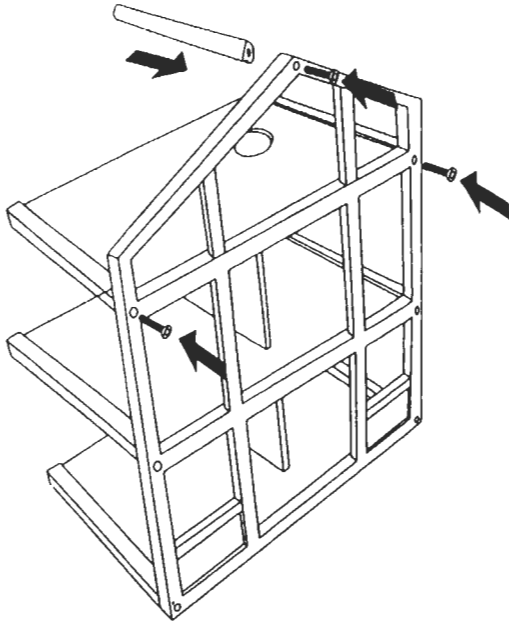
3



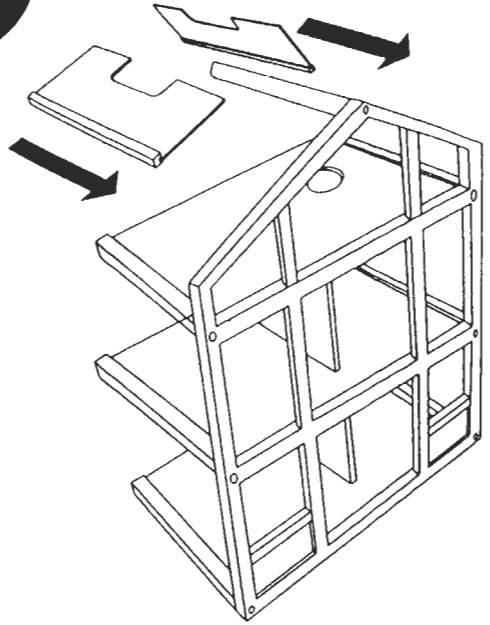
4



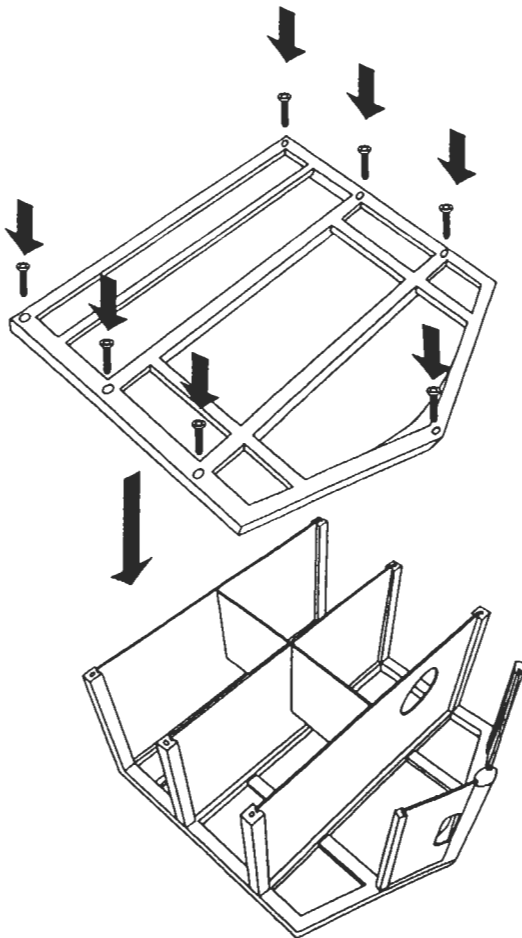
5



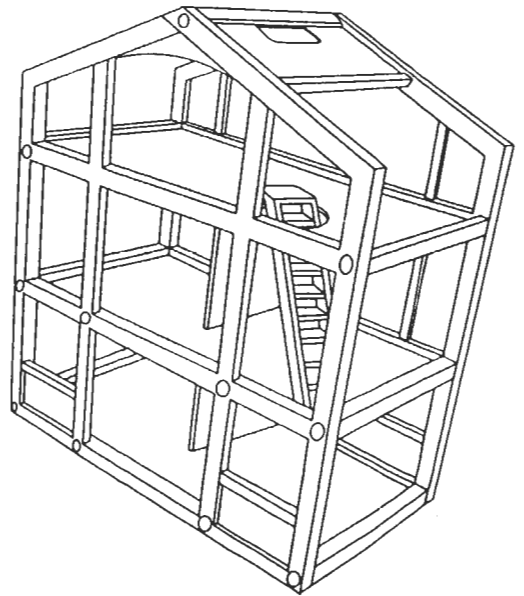
6



7



8

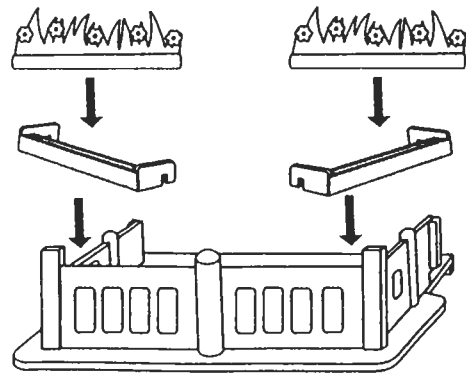
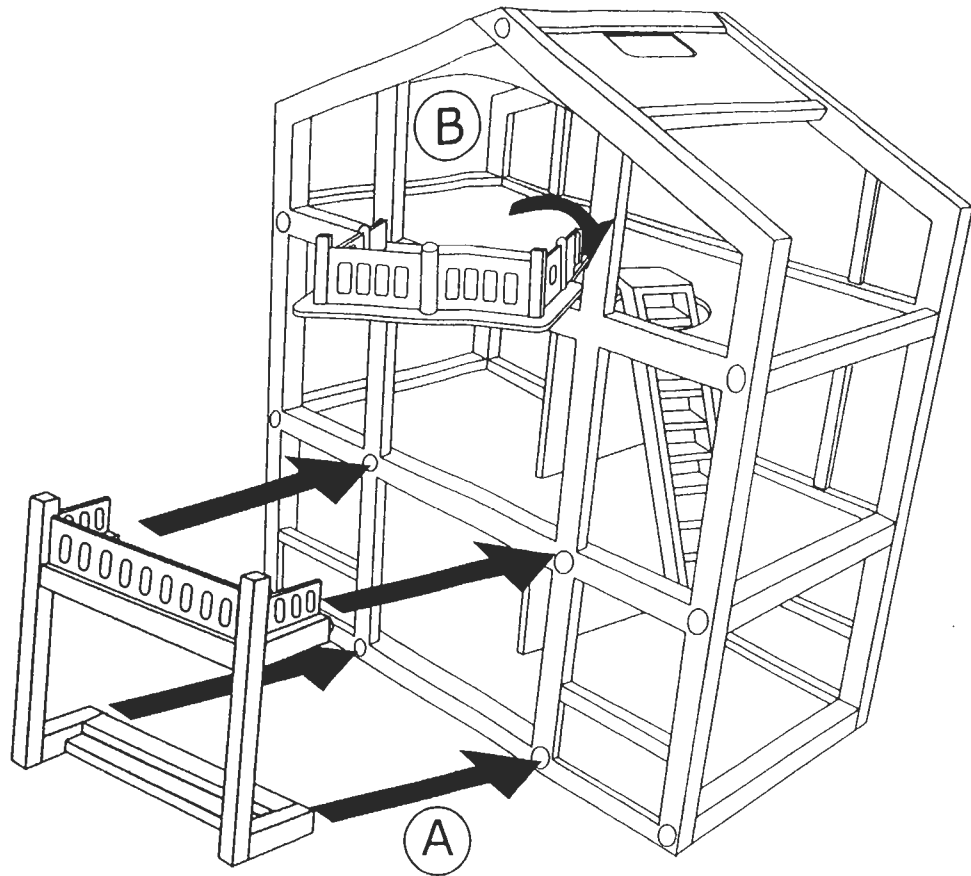


PAGE 3



© 2002 Smallworld Toys®

Printed in China



- (A) PUSH BALCONY ENTRY PEGS INTO CORRESPONDING HOLES ON DOLLHOUSE.
- (B) CAREFULLY ANGLE BALCONY INTO TOP FLOOR OF DOLLHOUSE, PUSH DOWN ON SIDE UNTIL IT **SNAPS** INTO PLACE.