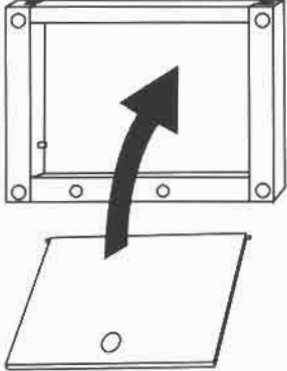
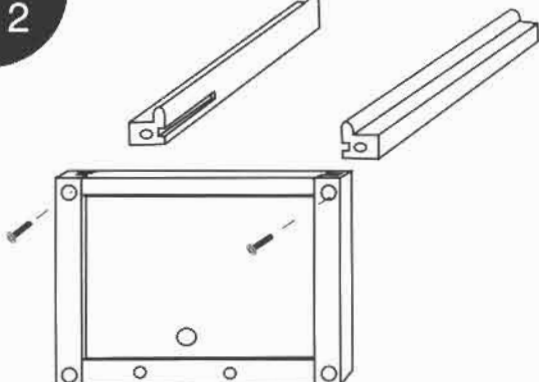
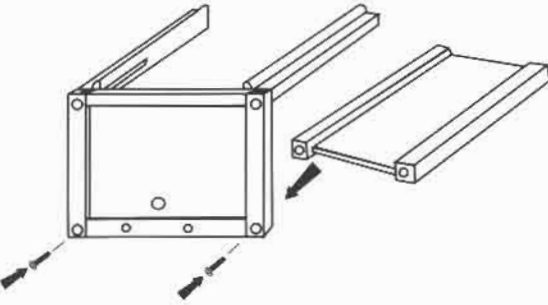
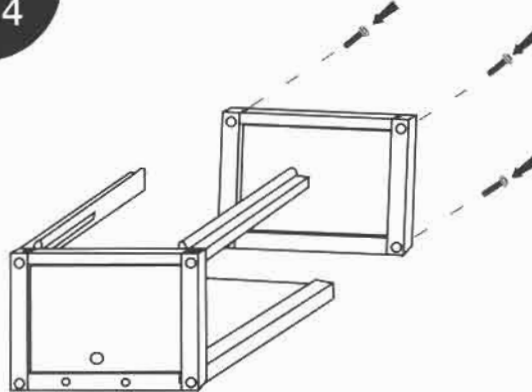
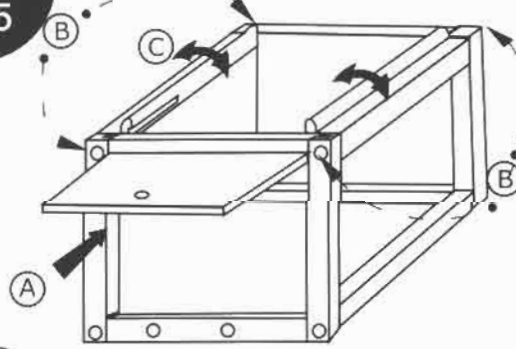


Park & Play

Assembly Instructions
Adult Assembly Required

<p>1</p> 	<p>2</p> 
<p>3</p> 	<p>4</p> 
<p>5</p>  <p>(A) AFTER THE GARAGE IS ASSEMBLED, OPEN THE GARAGE DOOR AND SLIDE IT INTO THE TOP.</p> <p>(B) ADJUST GARAGE DOOR BY LOOSENING AND TIGHTENING ASSEMBLY SCREWS.</p> <p>(C) FOR FURTHER ADJUSTMENT, YOU CAN SLOWLY TWIST THE TWO UPPER BARS TO THE LEFT AND RIGHT.</p> <p>* WHEN THE DOOR OPENS AND SLIDES FREELY, BE SURE TO TIGHTEN ALL ASSEMBLY SCREWS!</p>	<p>6</p> 