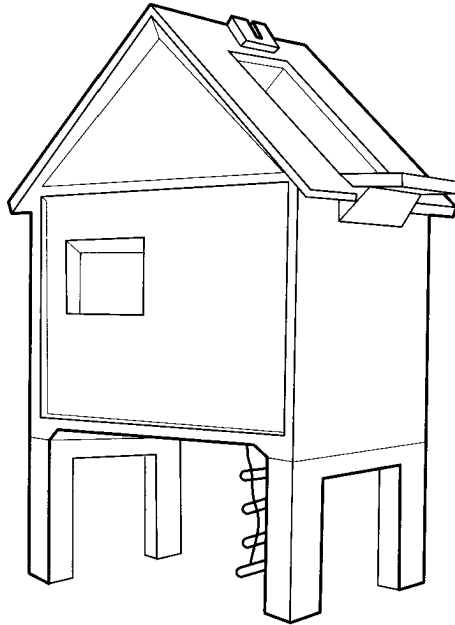
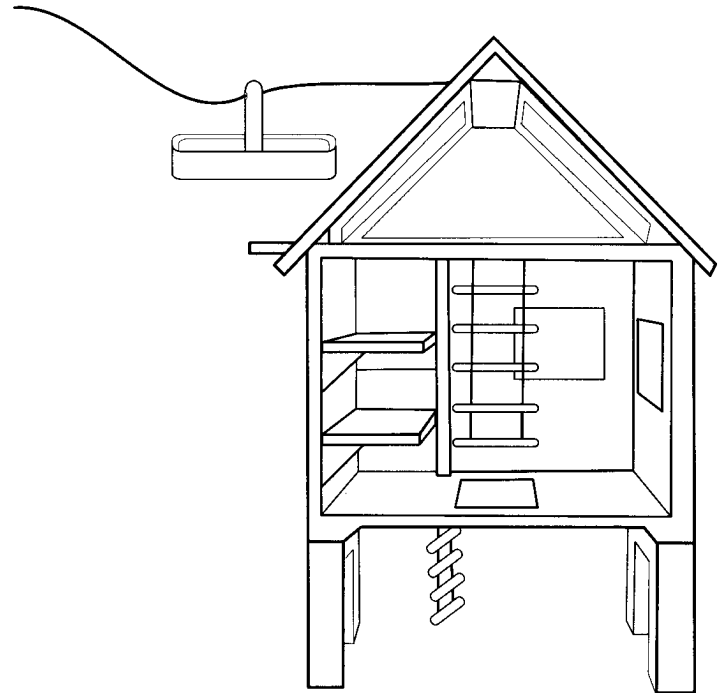


BACKYARD CLUBHOUSE



Assembly Instruction

Adult Assembly Required



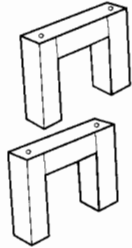
©2004 Small World Toys® Printed in China.
See you at: www.smallworldtoys.com/ryansroom

Warning: Screws are small parts
KEEP SCREWS AWAY FROM YOUNG CHILDREN.

INCLUDES: 8 PIECES



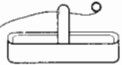
X1 CLUBHOUSE



X2 STILTS



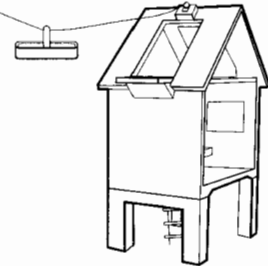
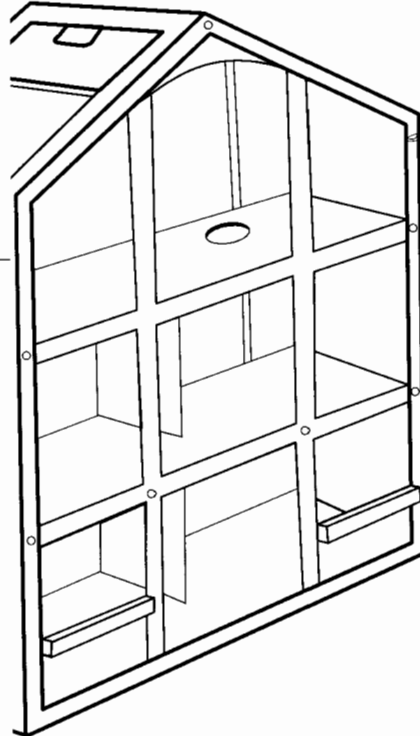
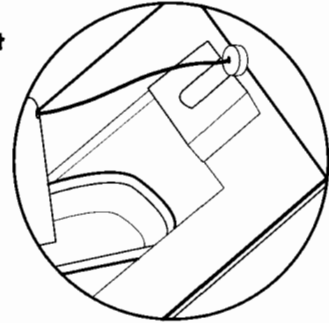
X4 SCREWS



X1 CABLE CART WITH STRING

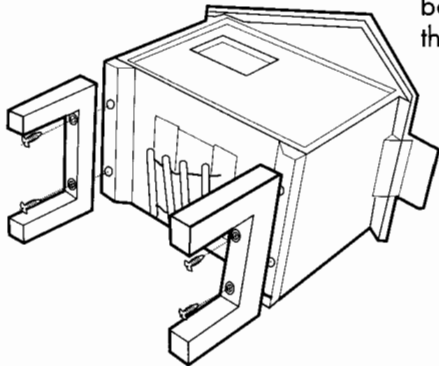
STEP 2: Attaching Cable Cart

Insert round end of string to clubhouse roof. Tie other end to a dollhouse.



STEP 1: Clubhouse Assembly

Using four screws, connect both stilts to the bottom of the clubhouse.



WARNING: STRING MAY BE A TRIPPING HAZARD.