

CAUTION:
Adult Assembly Required. Contains screws which are small parts.
Care should be taken when unpacking and assembling product.

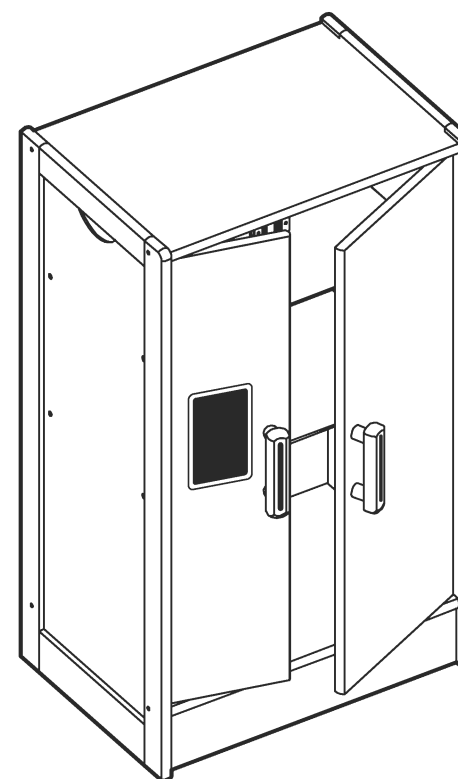
See you at www.smallworldtoys.com/smallworldliving

Made and printed in Thailand. ©2005 Small World Toys®, P.O. Box 3620, Culver City, CA 90231
Conforms to ASTM F963-03
Small World Toys and Small World Living are trademarks of Small World Toys.



YOUNG CHEF'S WOODEN APPLIANCES **REFRIGERATOR**

*A child's side-by-side refrigerator
that's just the right size!*



Assembly Instructions **Adult Assembly Required**

Please check packaging for parts
and fittings before assembling



3+ years

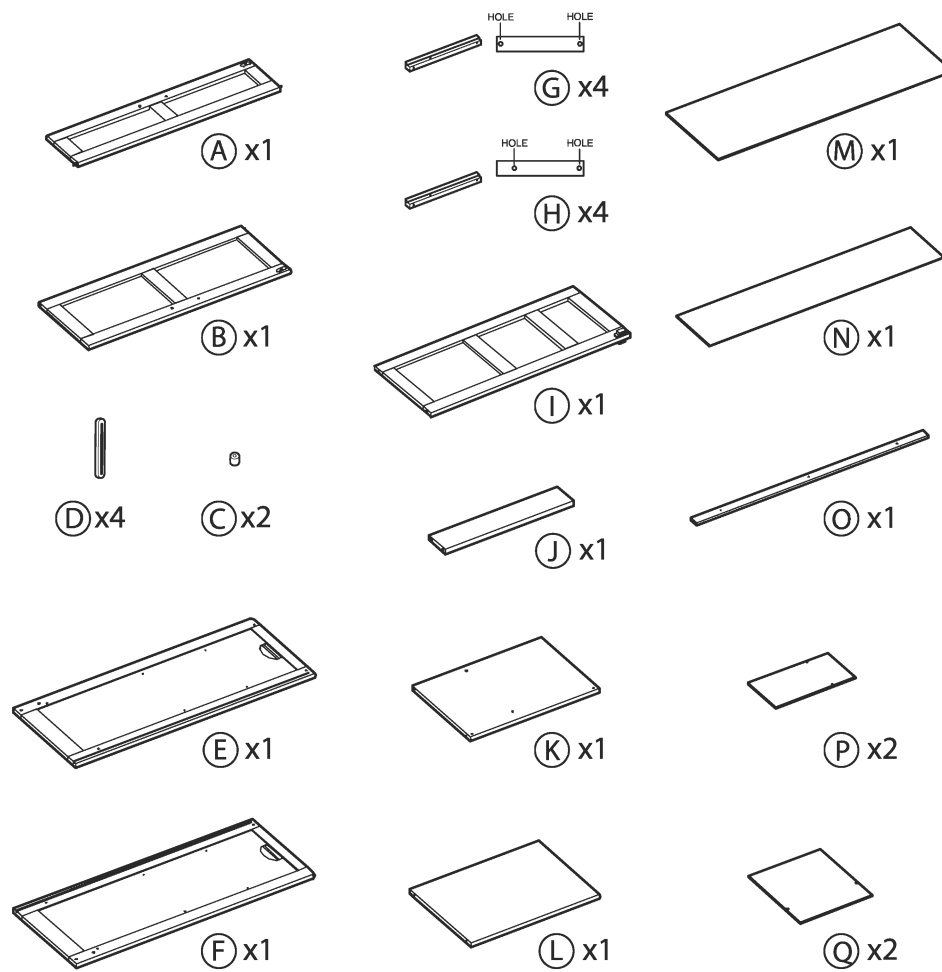
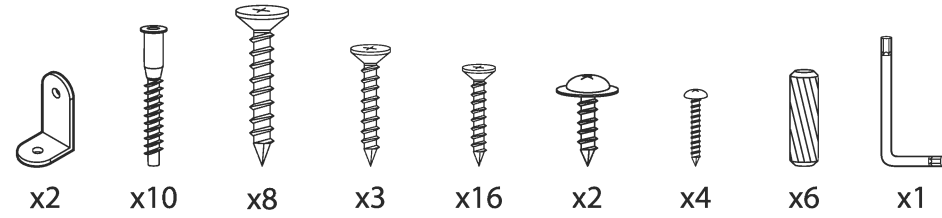
8620101



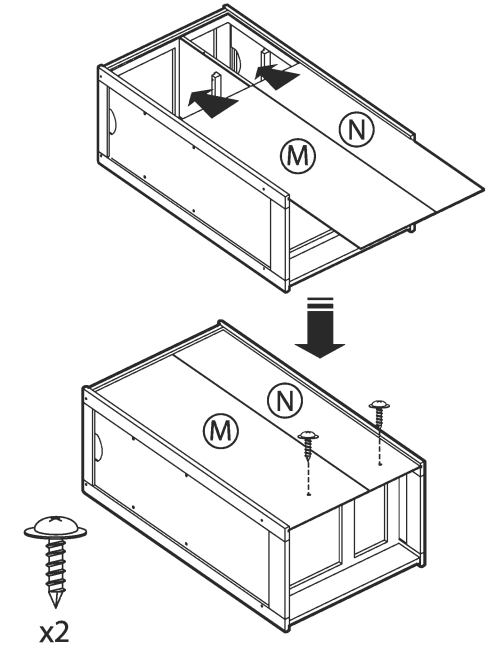
CAUTION:
Adult Assembly Required. Contains screws which are small parts.
 Care should be taken when unpacking and assembling product.

Contents:

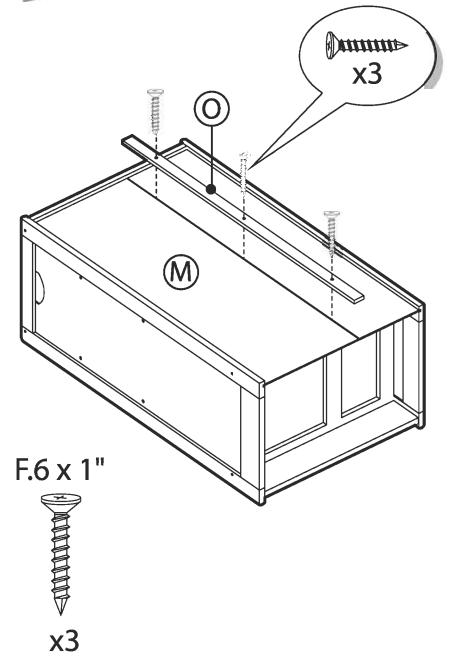
F8 x 2 1/4" F6 x 1" F6 x 5/8"



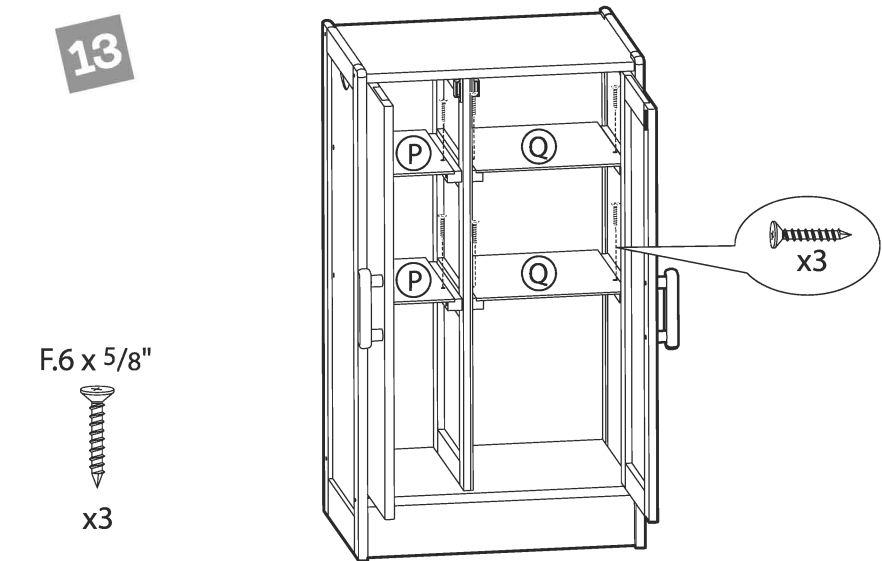
11



12

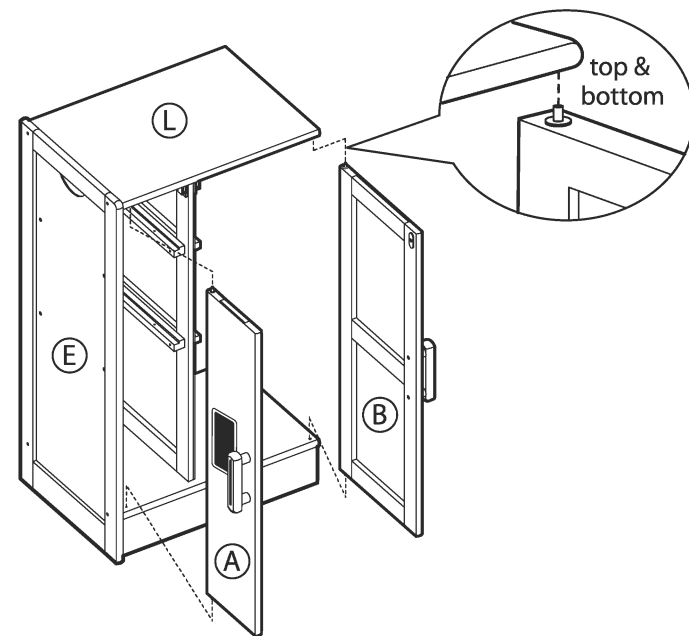


13

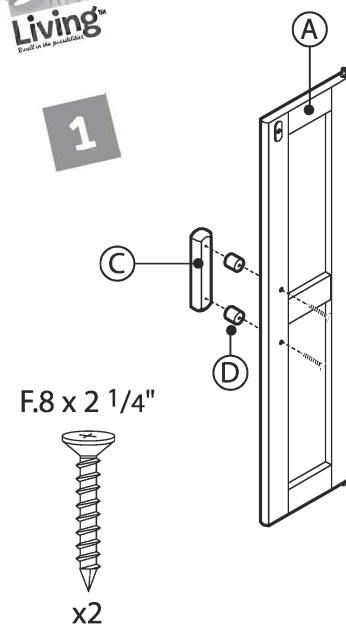




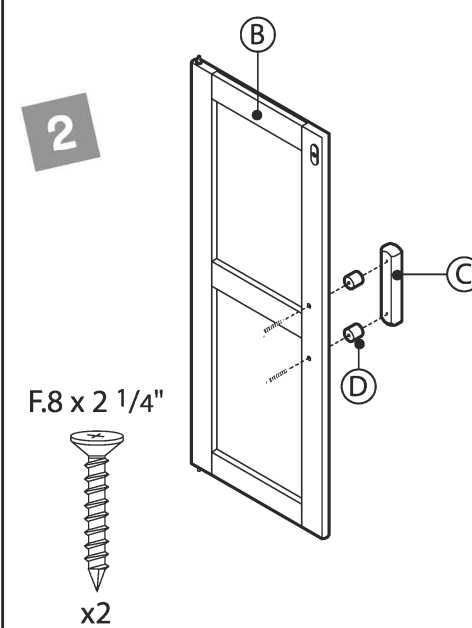
9



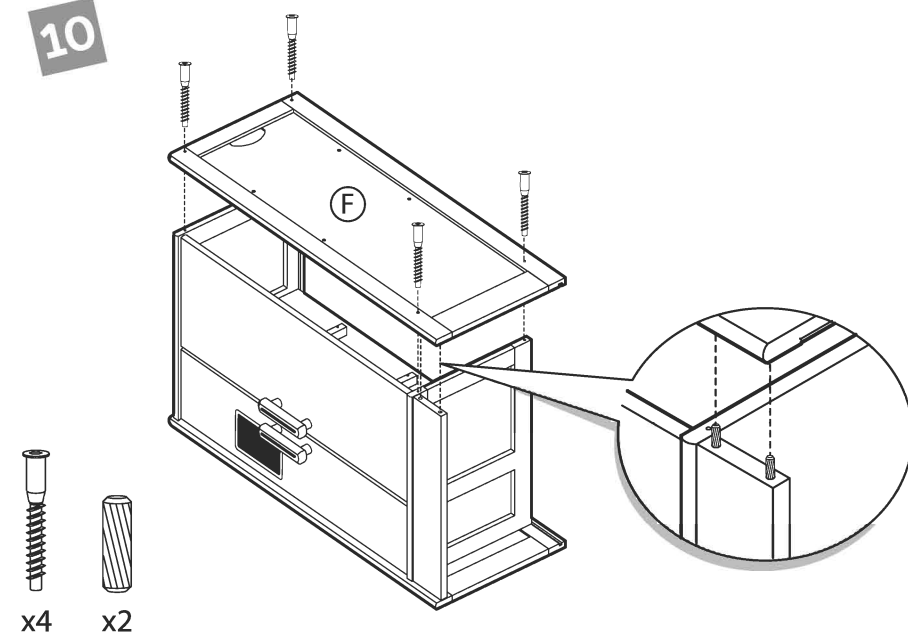
1



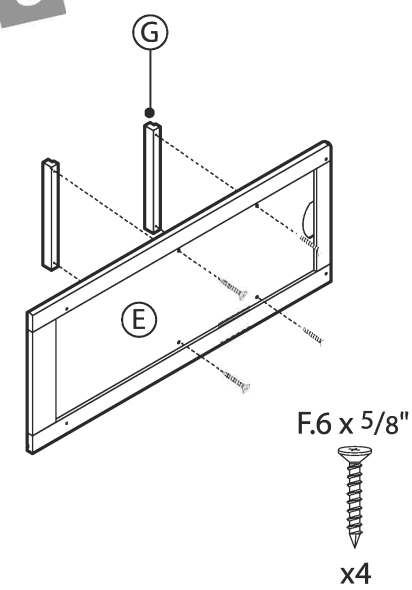
2



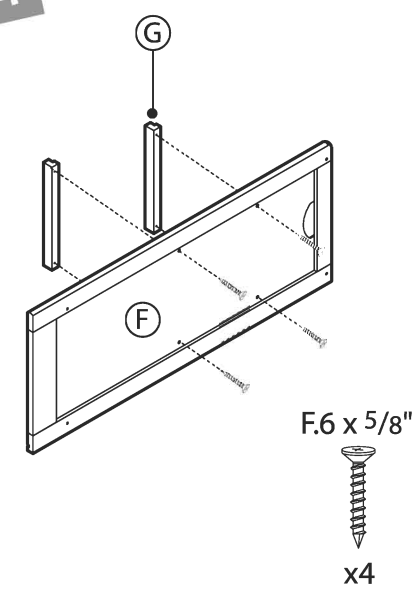
10



3

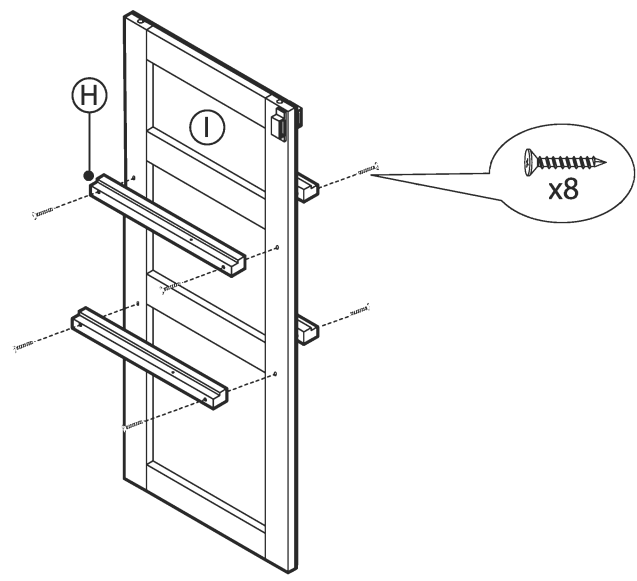


4





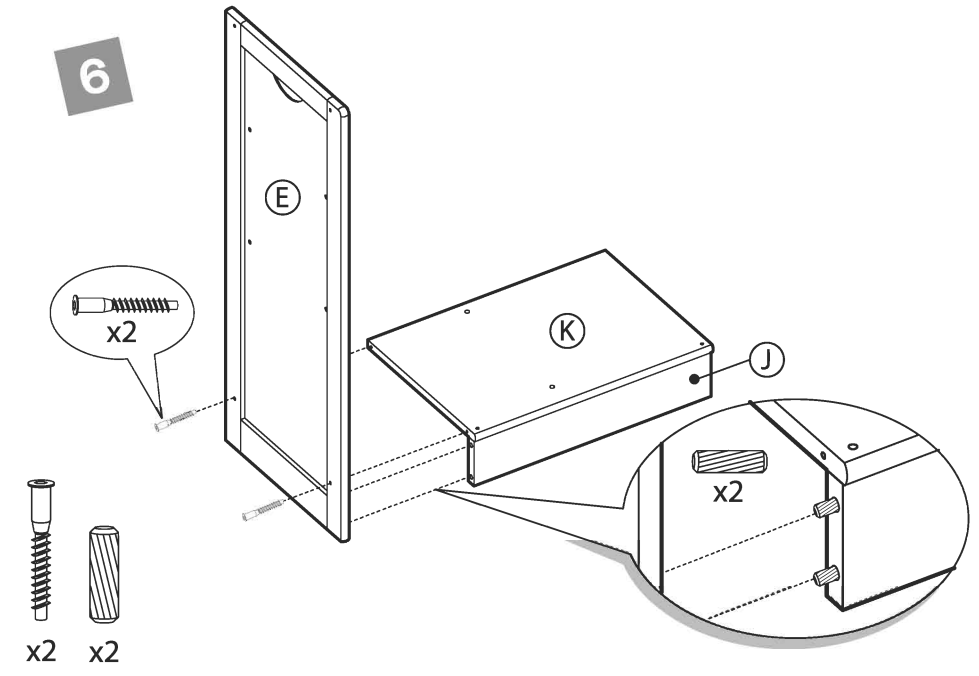
5



F8 x 2 1/4"

 x4

6

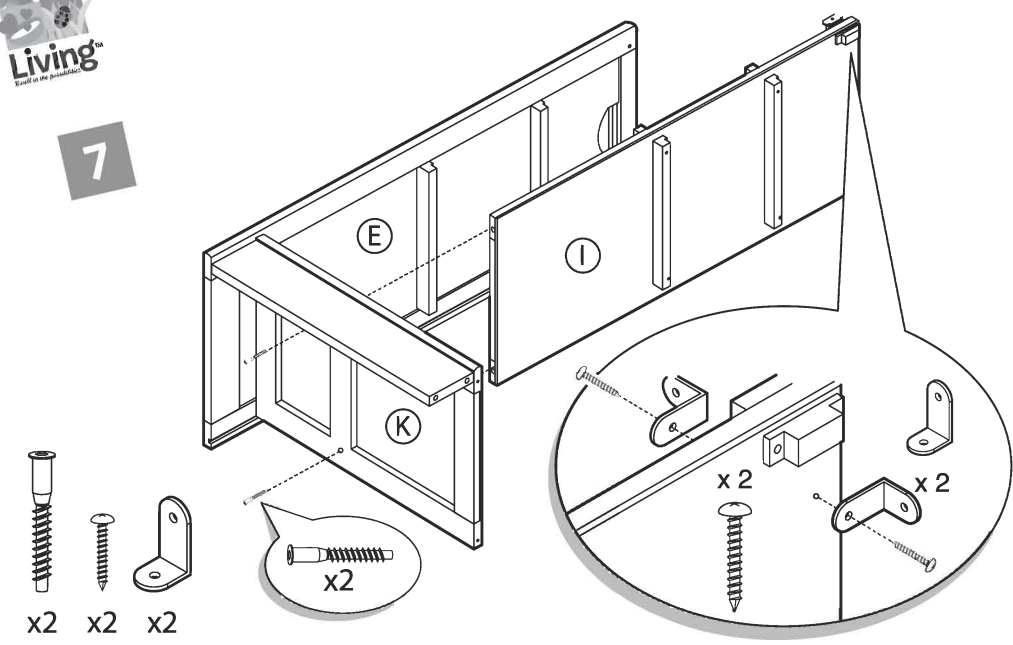


x2

 x2



7



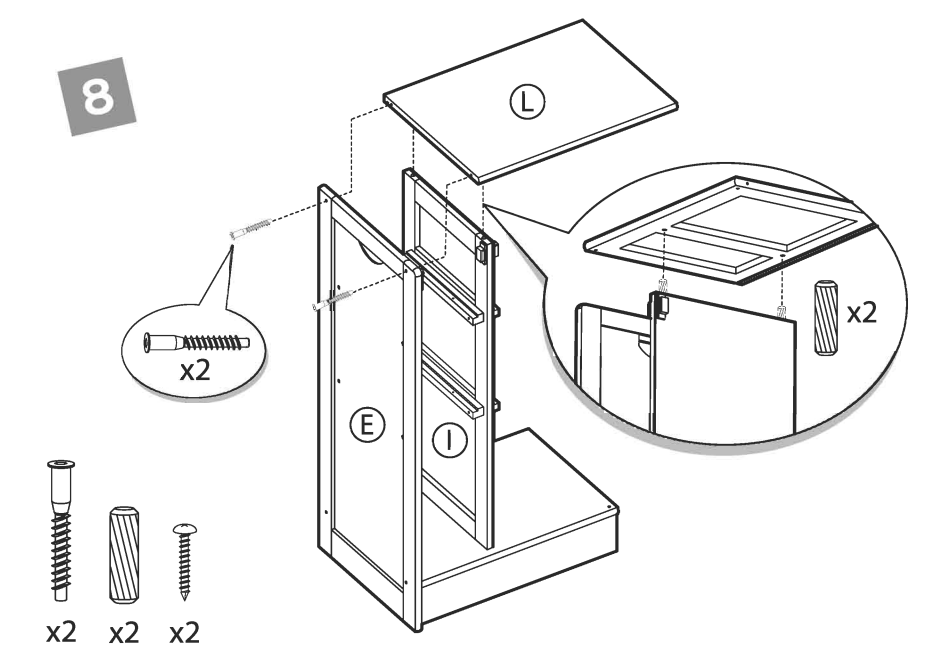
x2

 x2

 x2

 x2

8



x2

 x2

 x2